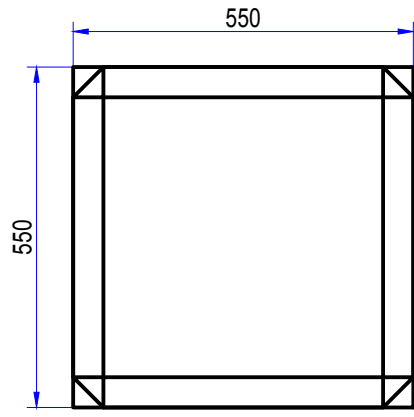
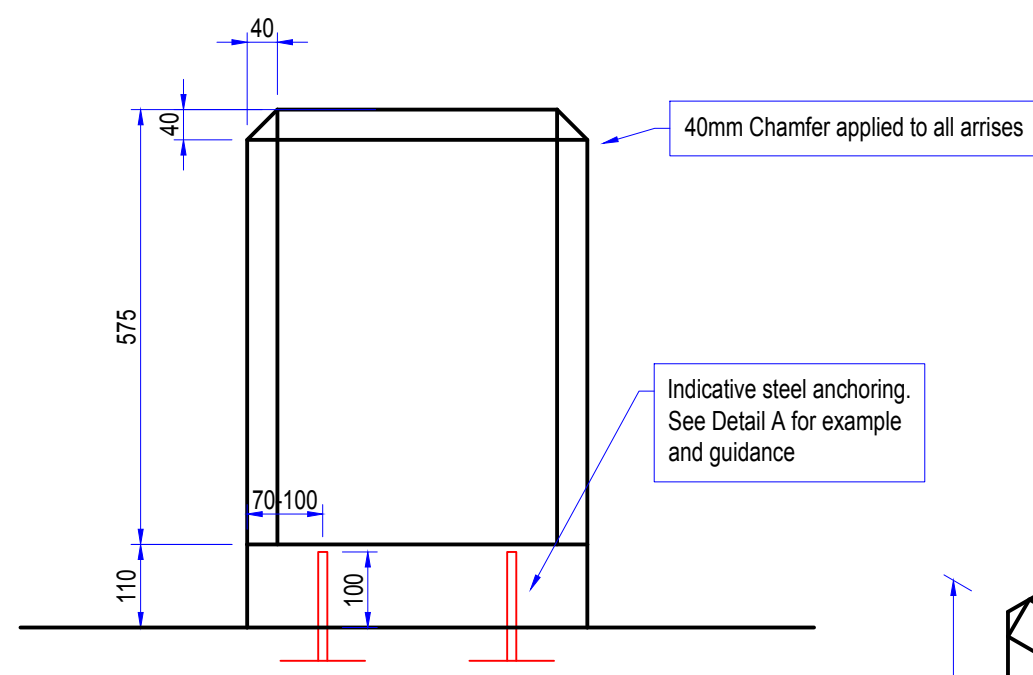


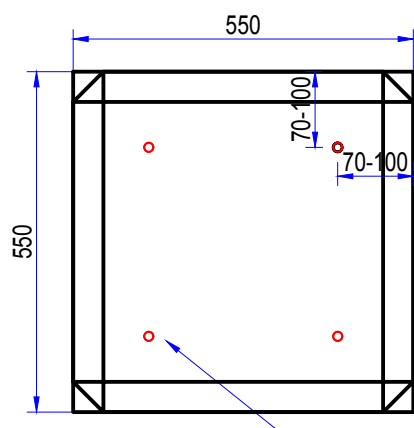
### NATURAL STONE CUBE BOLLARD



Plan  
Scale 1:10

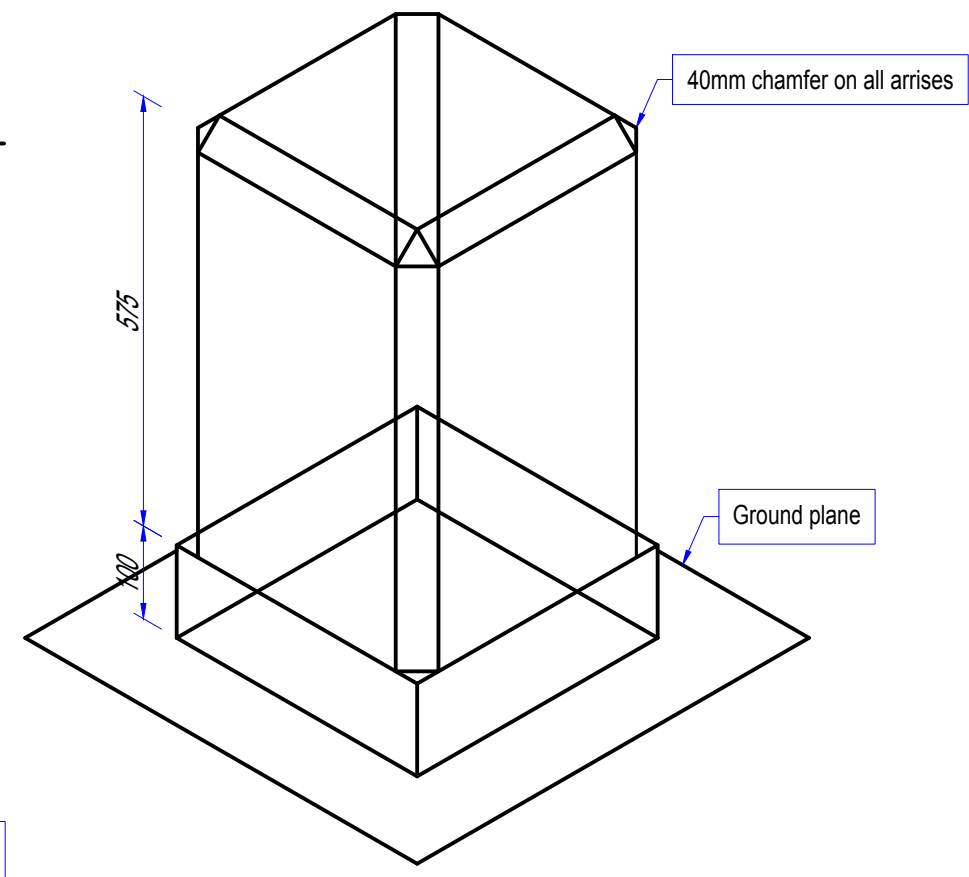


Elevation

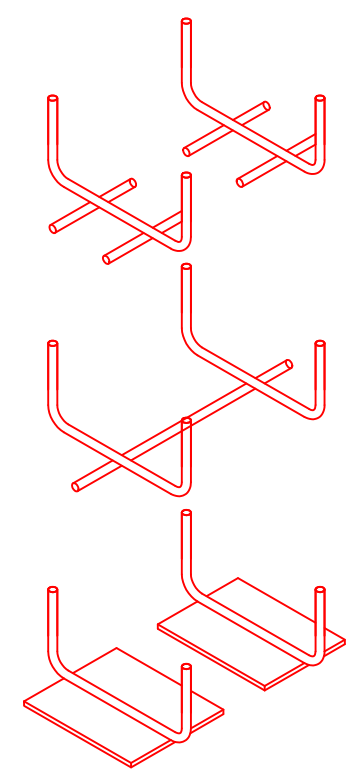
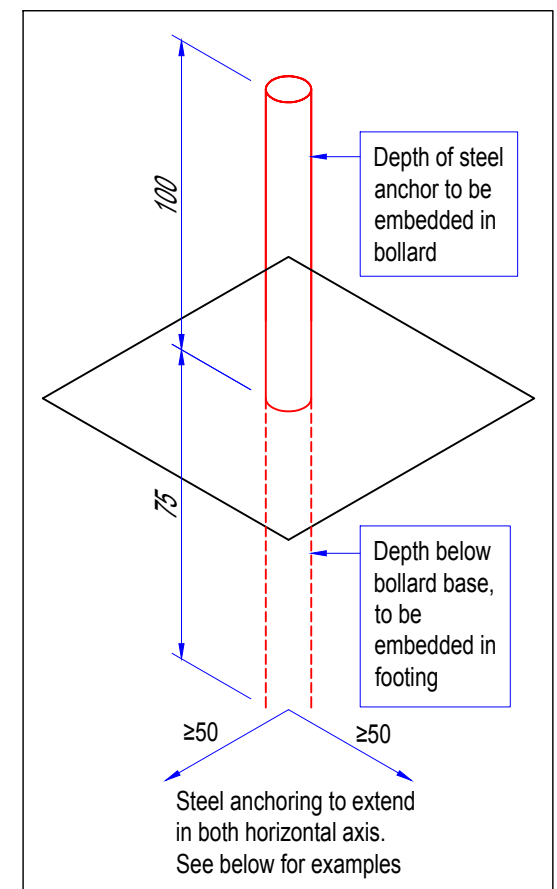


Underside

12Ø Steel anchoring embedded in a 14Ø recess with mortar (see note 5)



Isometric  
Scale 1:10



Detail A - Anchor examples  
Scale 1:10

NOTES

1. All dimensions are in millimeters unless otherwise stated.
2. Do not scale from this drawing. Use only written dimensions.
3. All references to Clauses are to Southwark Highway Specification Clauses unless otherwise stated.
4. Granite, Marshalls Geoform or similar approved.
5. 12mm Ø Steel reinforcement to conform to Cl.1008, embedded in a 14Ø recess within the bollard, and secured with Hilti mortar.

REV	DATE	REVISION DESCRIPTION / DETAILS	DRN BY	CHKD BY	APRVD BY



PROJECT:  
SOUTHWARK STREETSCAPE DESIGN MANUAL STANDARD DETAILS

TITLE:  
NATURAL STONE CUBE BOLLARD

STATUS:	DRAFT	DRAWN	SR
SCALE:	N.T.S.	DESIGNED	SW
DRAWING NO:	LBS/400/04	CHECKED	-
DATE DRAWN:	SEPTEMBER 2017	APPROVED	-
		REV:	-
		DATE ISSUED:	19 Feb 2019

S:\HIGHWAYS MAINTENANCE\SSM\2-SSM\_CONTENT\_ARCH\REVISED\SSM\DETAILS\DRIVERS\DETAILS\SERIES 400\SAFETY FENCES, BARRIERS AND PEDESTRIAN GUARDRAILS\BS-400-04 NATURAL STONE CUBE BOLLARD.DWG